

CMRI CERT NO. :- CIMFR/TC/SR/H483
 SUPPLE. T.C. NO. :- CIMFR/TC/S/H144
 CAT. NO./TYPE NO. :- KJB-A-01

TECHNICAL DATA

ENCLOSURE :-
 EX-d AS PER IS/IEC 60079-1:2007

PROTECTION ;:-
 IP-66 AS PER IS 12063-1987 (IS/IEC 60529:2001)

AREA CLASSIFICATION :-
 ZONE -1 & 2

TEMPERATURE CLASS :-
 T6

GAS GROUPS :-
 IIB

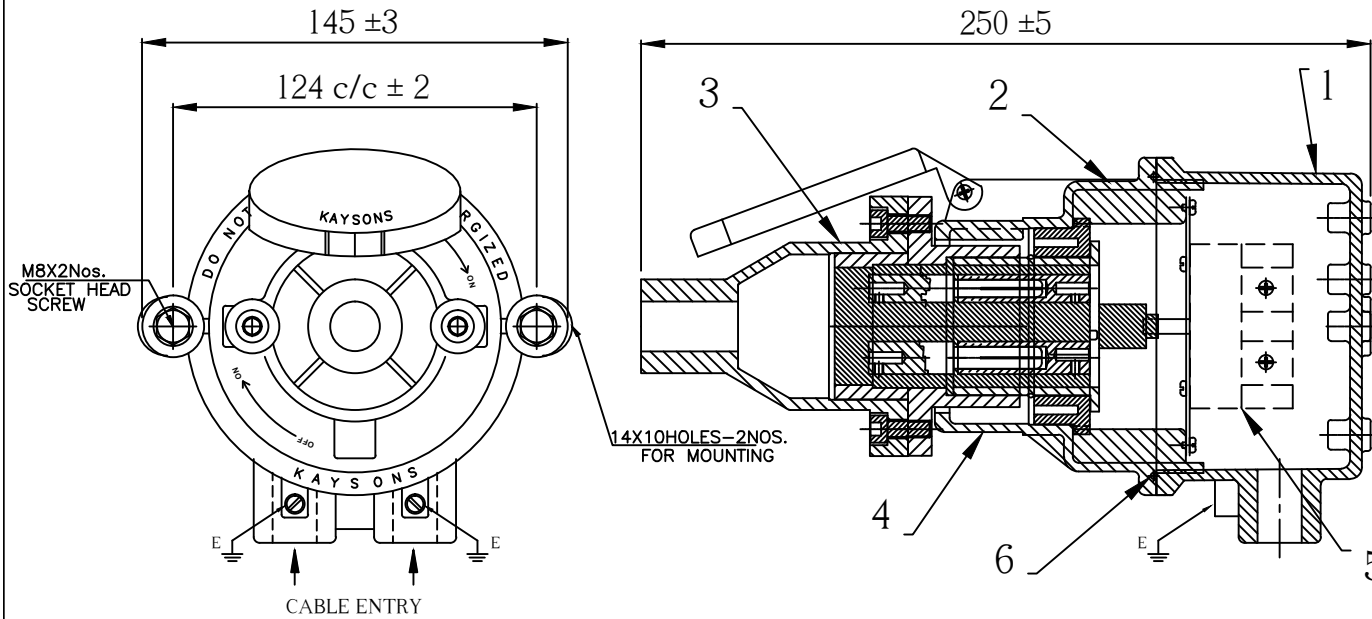
MATERIAL OF CONSTRUCTION :-
 DIE CAST AL. ALLOY LM-6

HARDWARE :-
 STEEL ZINC PLATED/STAINLESS STEEL

FINISH :-
 LIGHT GREY

EARTHING :-
 1 NO. INSIDE & 2 NOS. OUTSIDE

CABLE ENTRY :-
 M20x1.5P / 3/4"ET - 2NOS.



PLUG DETAIL

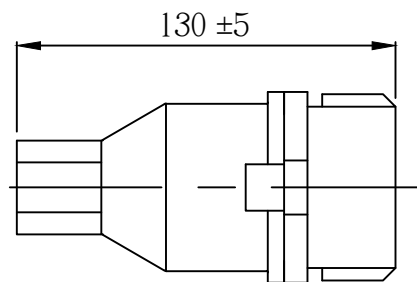
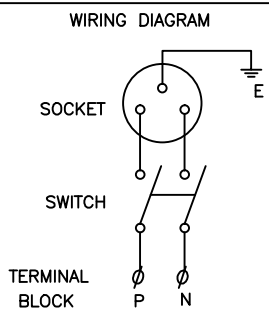


TABLE-A #

SL. NO.	RATING
01.	16A. 250V. P+N+E (3 PIN)
02.	25A. 250V. P+N+E (3 PIN)
03.	25A. 415V. 3P+E (4 PIN)
04.	25A. 415V. 3P+N+E (5 PIN)
05.	32A. 415V. 3P+E (4 PIN)
06.	32A. 415V. 3P+N+E (5 PIN)

NO.	DESCRIPTION	QTY	MAT./RATING
06.	GASKET (ENDLESS, MOULDED)	1	NEOPRENE
05.	SWITCH 3PIN/4PIN/5PIN	1	TABLE-A #
04.	PLUG 3PIN/4PIN/5PIN ASSEMBLY	1SET.	DIE CAST AL. ALLOY
03.	SOCKET 3PIN/4PIN/5PIN ASSEMBLY	1SET.	DIE CAST AL. ALLOY
02.	SOCKET COVER	1	DIE CAST AL. ALLOY
01.	BODY	1	DIE CAST AL. ALLOY



CLIENT :-	DRAWN	KBP	1.8.13	DESCRIPTION:-														
CONSULTANT :-	APP'D	HPB	1.8.13	FLAMEPROOF WEATHERPROOF SWITCH SOCKET														
P.O.NO. :-	CH'D	NPB	1.8.13															
<table border="1"> <thead> <tr> <th>ISSUE</th> <th>DATE</th> <th>BY</th> <th>MODIFICATION</th> </tr> </thead> <tbody> <tr> <td> </td> <td> </td> <td> </td> <td> </td> </tr> </tbody> </table>				ISSUE	DATE	BY	MODIFICATION					<table border="1"> <thead> <tr> <th>SHT.NO.</th> <th>REV.</th> <th>DRG.NO.:-</th> </tr> </thead> <tbody> <tr> <td>1 OF 1</td> <td>0</td> <td>F02</td> </tr> </tbody> </table>	SHT.NO.	REV.	DRG.NO.:-	1 OF 1	0	F02
ISSUE	DATE	BY	MODIFICATION															
SHT.NO.	REV.	DRG.NO.:-																
1 OF 1	0	F02																

THE INFORMATION CONTAINED IN THIS DRAWING IS THE PROPERTY OF KAYSONS TECHNO EQUIPMENTS PVT. LTD. AND IS NOT TO BE COPIED OR MISUSED IN ANY WAY.



KAYSONS 1802/7, G.I.D.C. ESTATE,
 TECHNO EQUIPMENTS PVT LTD V.U.NAGAR 388121. (GUJARAT)